

# Pressure vacuum vent

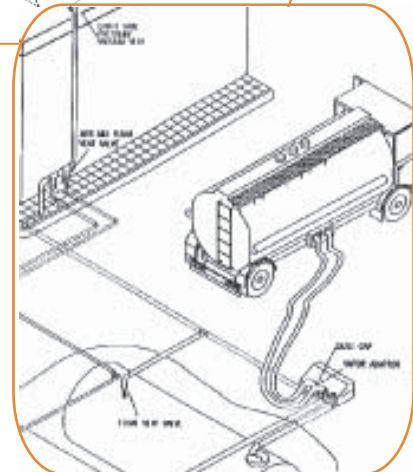
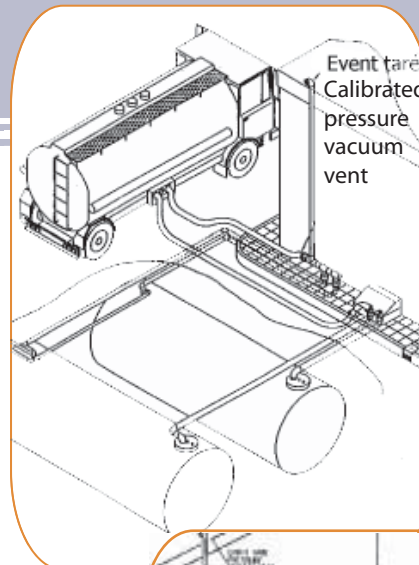
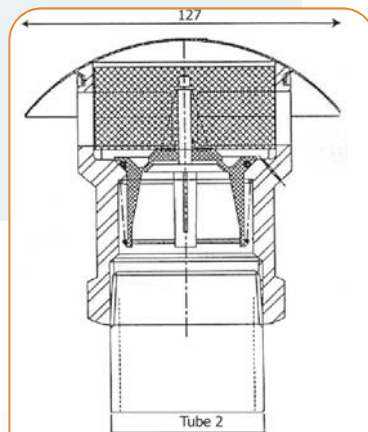


The calibrated pressure vacuum vent allows storage tank fitted with vapor recovery with raised or lowered pressure to be brought to atmospheric pressure

It also allows the tank to "breathe" during filling, storage and emptying

## Technical Specifications

- Opening of the pressure vacuum valves :
  - . Pressure : 30 mbar, 50 mbar at 60m<sup>3</sup>/h
  - . Vacuum : 5 mbar, 20mbar at 55m<sup>3</sup>/h
- To be fitted to threaded 2" PDG (BSP) vent-pipe
- Aluminium body
- Grid (stainless steel)
- Valox valve
- Stainless steel spring
- Viton® Seal
- STAGE I compliant



## Reference

12416000 Pressure vacuum vent

Station accessories

Vapor recovery

Pipe work

Filling limiters

Valves, air-vent & accessories

Gauges

Dispensers, DAC & systems

